

9000

I Series Air Carts



9000

I Series Air Carts

Take the guess work out of rate application achieving seeding certainty with the 9000 I Series Air Carts. The 9000 I Series Air Carts are configured with up to 5 individual tanks, each capable of accurate on-the-go weight tracking. You now have actual application rate available to you in real time with DynaCal.



91300 Trailing

635/230/140/295 bu
+ 44 bu Saddle Tank opt.



9950 Trailing

465/165/100/220 bu
+ 44 bu Saddle Tank opt.



9650 Trailing

195/130/130/195 bu
+ 44 bu Saddle Tank opt.



L9950 Leading

220/100/165/465 bu
+ 44 bu Saddle Tank opt.



L9650 Leading

195/130/130/195 bu
+ 44 bu Saddle Tank opt.





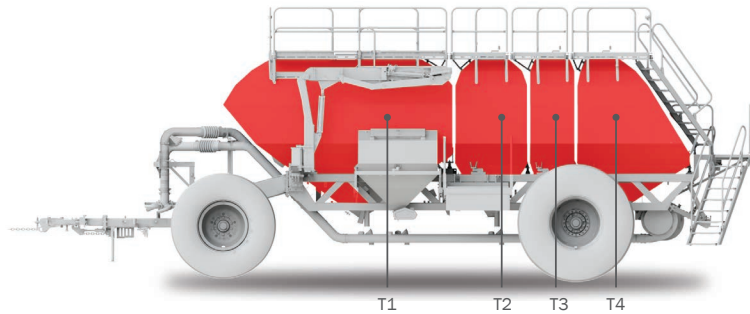
BOURGAULT

91300 SERIES AIR SEEDER

ROOF

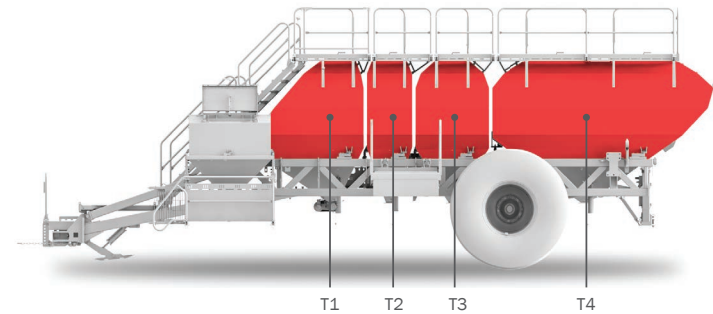
91300 BOURGAULT

Optimize Your Productivity



The 9950, L9950 and 91300 air carts have a **49/17/11/23** ratio, optimized for Producers using all dry products. The tank ratios have been scrutinized to provide the most efficient use of tank volume in the more common product application scenarios.

The 9650 and L9650 have a 30/20/20/30 ratio, optimized for Producers using dry fertilizer combined with liquid or anhydrous fertilizer.



Tank Optimizer

The Tank Optimizer calculates product fill recommendations based on product type and target rates entered so you can quickly determine which product & tank configuration will maximize your acres per fill. The Tank Optimizer can split rates between multiple tanks and display the projected coverage for each tank.



Saddle Tank

Gain accuracy and volume for fine products with the Saddle Tank™. The Saddle Tank™ option provides a smaller 5th tank in a convenient location. Bagged products, such as canola or granular inoculant, can be loaded from a safer, lower elevation with room for the next fill on the Pallet Storage Platform. The tank lid is positioned at a convenient height for filling with bagged seed by hand. For minibulk users, the 44 bushel capacity allows for two full bags to be unloaded, even if the tank is not completely empty.

Well Suited Running Gear

Bourgault places a large emphasis on flotation. That is why you find more rubber under a 9000 I Series Air Cart than the competition. The large diameter, increased flexion (IF) tires deliver very low ground pressures and reduced rolling resistance, maximizing flotation which helps to ensure uniform germination.

Tire Sizes & Pressures (psi)

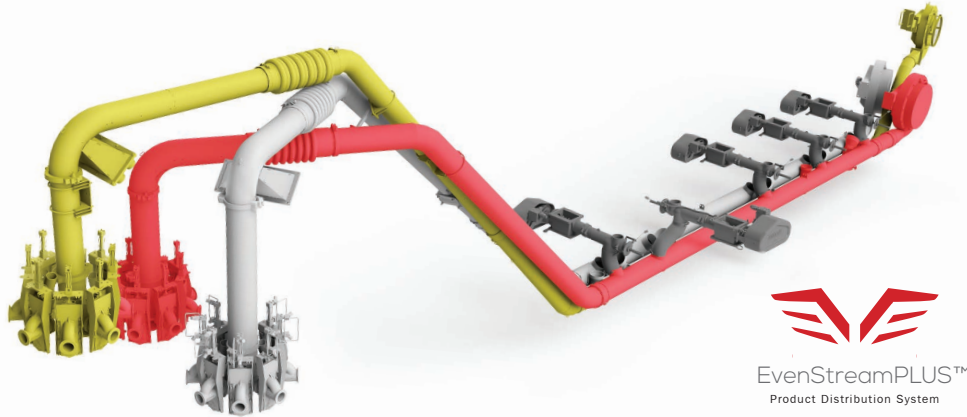
Front Tires	91300	9950	9650
IF710/70R42 CFO Single	N/A	N/A	12
850/80R38 Single	N/A	N/A	9
IF850/75R42 CFO Single	N/A	12	N/A
IF710/70R42 CFO Dual	10-12	7-8	6

Rear Tires	91300	9950	9650	L9950	L9650
IF850/75R42 CFO Single	N/A	N/A	15-20	N/A	N/A
IF710/70R42 CFO Dual	N/A	N/A	12-15	N/A	15-20
IF850/75R42 CFO Dual	14-16	9-12	7-9	14-17	9-12

9650 & L9650 available with optional 3 meter tire spacing with high capacity single tires.



Product Delivery Flexibility



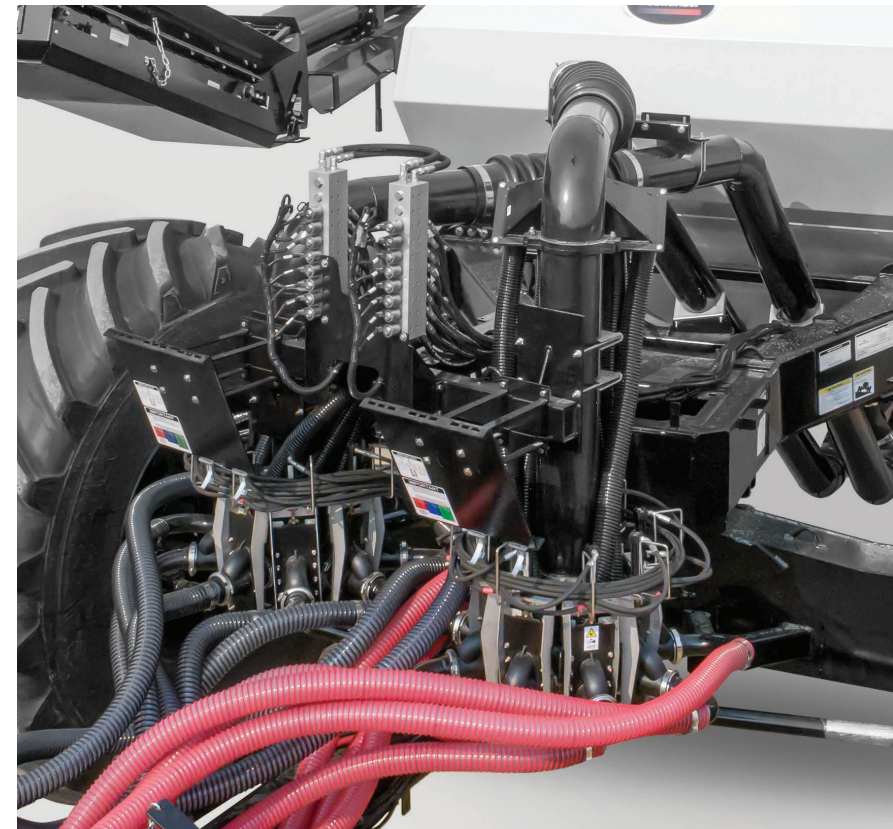
The Bourgault Class A EvenStreamPLUS™ Distribution System provides outstanding performance in distribution accuracy, even at high application rates. Each feature is designed to maintain product balance through the entire system. The straight-through design makes it easy to maximize the volume of your Bourgault Air Cart, regardless of the product combinations you choose.

Unmatched Versatility

Achieve any product combination needed to meet each crop's specific requirements. Each of the 4 tanks and optional Saddle Tank™ are equipped with PDM Pro™ Metering Augers and can be directed into any of the product lines, giving you maximum seeding flexibility.

Dual Auto Section Control

Dual ASC™ provides the ability to set overlap separately for seed and fertilizer. Producers can set the geometry and on/off timings individually, allowing for even finer settings and resulting in less overlap and increased savings. This feature also applies to NH₃ or liquid fertilizer application.





TRIMAX™

TRIPLE-SHOOT SYSTEM



A. a dedicated third fan

B. a smaller 6" diameter third primary line;

C. EvenStreamPLUS™ on secondary lines for accurate distribution of all products, at all rates - high and low;

D. tertiary lines route to the center furrow on the BTT side-biased boot for the PLST™ or PLX™ Single Shank Openers or to the rear knife on the PLDS™ Dual Shank Opener.

Take Charge of Your Product Placement:

With the TriMax™ Triple-Shoot System nitrogen is positioned away from the seed, eliminating seed toxicity, seed is placed safely on its own and starter fertilizer is positioned nearby for quick access.

1

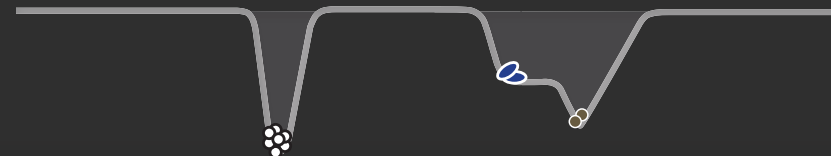
NITROGEN
is positioned away from the seed, eliminating seed toxicity.

2

SEED
is placed safely on its own.

3

STARTER FERTILIZER
is positioned nearby for quick access.





X40 Apollo System

Achieve unprecedented control of your seeding system with the X40 Apollo System. Variable Rate Control for multiple products, Implement-to-Implement™ coverage sharing, on-the-go product rate verification and sectional control are only part of what this outstanding system will provide.

The X40 has a large touch screen featuring a heads-up dashboard, customizable for the needs of your operation. Realize full rate control capabilities, accurate data management, and time saving applications, all at your fingertips.



Actual Rate Verification

DynaCal™ live rate monitoring takes out the guess work. The 9000 I Series Air Cart will provide accurate application rate readings for individual tanks, with automatic hill compensation. Dynamically calibrate, on-the-go, for complete metering accuracy!



Xtend Your Reach

The Xtend™ Feature lets you operate the X40 outside of the tractor cab on your mobile phone or tablet for critical operations such as calibration or tank fills.



Get More from Multi-Unit Operations

With I-to-I™, all Operators can view which areas of the field have been seeded by all units, allowing the Auto Section Control to avoid misses and overlaps.





Safety and Convenience

Surge Brakes

The surge brake system on the 9000 I Series automatically applies the correct amount of braking as the air cart hitch load changes from tension to compression. This greatly reduces the potential of implement damage as well as stress on the Operator.



Stairs and Catwalk



Effective Product Transfer

The industry-leading product transfer options from Bourgault will mean less time loading or unloading the cart and more time placing seed in the ground.

High Capacity Conveyors

Standard High Capacity Conveyors move more bushels per minute with minimal damage to the most delicate seeds. The leading carts offer the same benefits through the innovative folding conveyor.



Bulk Boom System

The BulkBoom™ Product Transfer System option makes loading minibulk bags of seed, fertilizer or inoculant both more convenient and efficient. The BulkBoom™ allows the Operator to fill the Saddle Tank™ with minibulk bags without having to worry about transporting a front end loader or forklift to the field.

Power Lids

Open and close the tank lids from the ground with the convenience of the same remote control for the conveyor. This option is available on all 9000 Air Carts to control the main tanks, reducing Operator trips up and down the tank.

9000

Optimized for Success

Specifications

MODELS	Trailing Models			Leading Models	
	91300	9950	9650	L9950	L9650
Total Tank Volume	1300	950	650	950	650
with Saddle Tank	1344	994	694	994	694
T1	635	465	195	220	195
T2	230	165	130	100	130
T3	140	100	130	165	130
T4	295	220	195	465	195
Saddle Tank (option)	44	44	44	44	44

MODELS	91300	9950	9650	L9950	L9650
Height (empty)					
Transport	14'9"	13'5"	12'1"	13'5"	12'1"
Field	17'7"	16'3"	14'11"	16'3"	14'11"
Overall Width					
Single Rear Tires	N/A	N/A	18'1"	N/A	N/A
Dual Rear Tires	20'11"	20'11"	20'11"	20'11"	20'11"
Length					
Wheelbase	23'	23'	22'		
Overall Length	55'7"	48'9"	48'9"	44'5"	44'5"
Weight (lb)					
Weight, base unit & base tires	48,000	40,000	32,000	36,000	31,500
Weight, commonly equipped**	50,500	43,000	39,000	38,500	35,000
Leading Hitch Weight (empty)				4,600	4,200
Leading Hitch Weight (max)				11,000	10,500

GENERAL SPECIFICATIONS	
Cameras (viewed on X40 monitor)	Rear View - standard / In Optional Saddle Tank (when equipped)
Dual ASC™	Optional on all 9000 Series models
Product Transfer Systems	BulkBoom™ - optional on all 9000 Series models BagLift™ - available option on 9950, 9650, L9950, L9650 FillChute™ - optional on all 9000 Series models
Rear Tow Hitch	Optional on Trailing models
Conveyor	91300 - standard 12", 210 bu/min 9950, 9650 - standard 10", 110 bu/min L9950, L9650 - standard folding 10"
Individual Tank Scales	Standard on all 9000 Series models
Surge Brakes	91300, 9950, L9950 - standard 9650, L9650 - optional
TRIMAX™ option	Available on all 9000 Series models

** Commonly equipped is equivalent to base weight, plus double-shoot plus the optional Saddle Tank™ on all models. Duals added on rear of 9650. All models without BulkBoom™.

All weights & transport dimensions are estimates & are subject to change.

Every effort has been made to ensure that the information is accurate/current at the time of production. For the latest product information check out our website at: www.bourgault.com

BOURGAULT INDUSTRIES LTD.

(U.S. Division)

3915 North Broadway
Minot, ND U.S.A. 58703

(Canadian Division)

Box 39, 500 Highway 368 North
St. Brieux, SK Canada S0K 3V0



For a complete Bourgault dealer listing
visit: www.bourgault.com

Every effort has been made to produce
this catalogue with the most current
information possible. However,
ongoing product development and
improvements mean that the equipment
and specifications are subject to change
without notice. Equipment subject to local
availability. Please contact your Bourgault
representative for additional information.