



# MED AUTOMATION

*"Think Globally, Act Locally"*

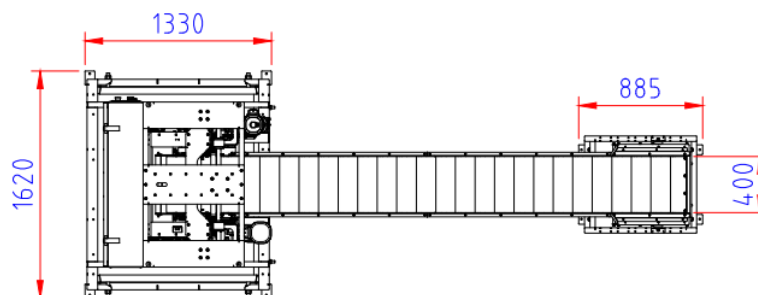
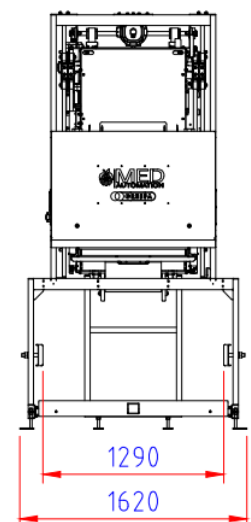
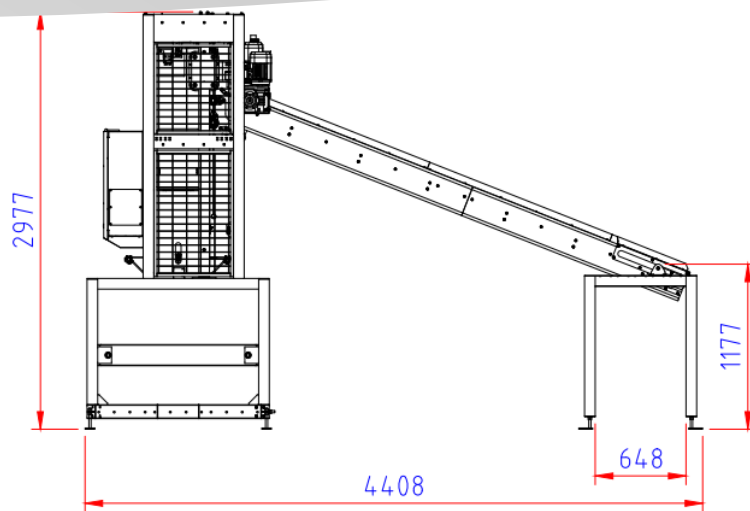


## Vertical Bin Fill'R

*VBF 5500*



- Designed for Soft Handling of Citrus
- Capacity-up to 15 bins (365kg) / hour
- Continuous Filling while changing bins.
- Buffer Capacity +/- 100kg
- Full Automated Bin handling or insert of Bins manually.



Office: +27 (0) 21 868 1652

Mobile: +27 (0) 82 890 0262

Email: [sales@med-automation.co.za](mailto:sales@med-automation.co.za)

Email: [gerhard@med-automation.co.za](mailto:gerhard@med-automation.co.za)

Website: [www.med-automation.co.za](http://www.med-automation.co.za)